



DK 30/T-EN54

- High sound pressure level
- Weather-proof
- BS 5839



EN 54-24:2008
Ref. Nr.: 003-13
ID-Code: SAA-LS03
1438-CPR-0242

ic audio GmbH, Boehringerstraße 14a,
D-68307 Mannheim, Germany

CE-Symbol gemäß Richtlinie 93/68EWG

The 30W powered speaker is equipped with a 100V line transformer with 4 power adjustments, also low-impedance operation (20 ohm) is possible. The impact-resistant ABS housing UL94V0 in RAL 7035 guarantees long-term stability. For additional reliability, a ceramic block and a thermal fuse is provided in a junction box.

The speaker is also secured with the high protection class IP 66 against the security risks of environmental influences. The speaker is compliant with the British Standard BS 5839, Part 8.

Included is a U-shaped, stainless steel universal mount for flexible installation. Optionally available is a mast bracket (MB) for about 90 - 200mm mast diameter.

Technical Data (Electrical)

Description	DK 30/T-EN54
Power	30/20/10/5 (20) W
Impedance (100V)	333/500/1000/2000 ohm
Frequency Range	592 - 6.900 Hz
Frequency Response	250 - 15.000 Hz
SPL EN54-24, Pmax/4m	96,0 dB
Sensitivity EN54-24, 1W/4m	85 dB
Sensitivity EN54-24, 1W/1m	97,9 dB
Dispersion -6dB, 500Hz	h/v 155°
Dispersion -6dB, 1KHz	h/v 110°
Dispersion -6dB, 2KHz	h/v 65°
Dispersion -6dB, 4KHz	h/v 35°

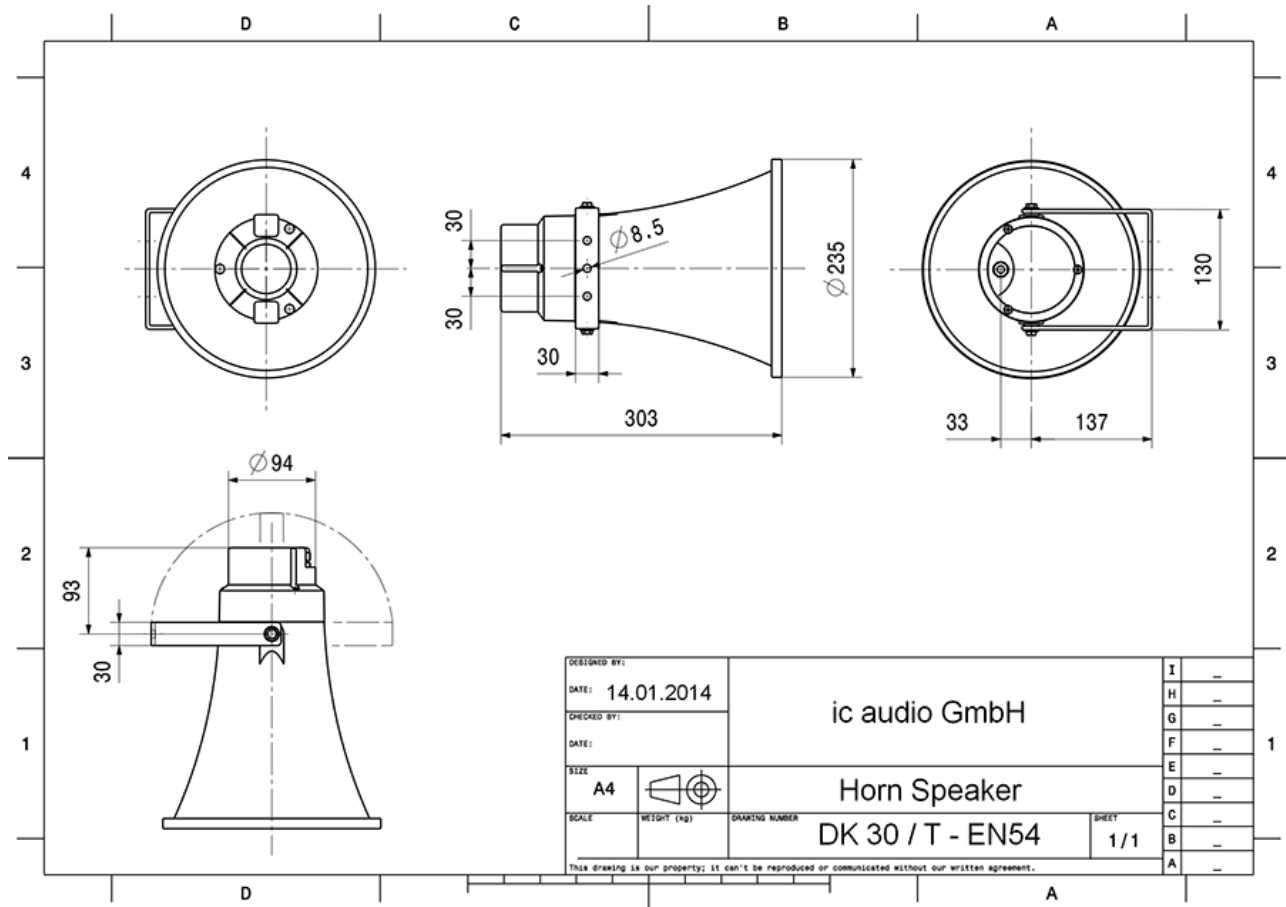
Technical Data (Mechanical)

Dimensions	238x302 mm
IP Rating	IP66
Weight (net)	2,27 kg
Temperature range	-25 / +70 C°
Mounting	Mounting bracket
Connector	ceramic block
Maximum cable cross section	8mm ²
Colour	RAL 7035

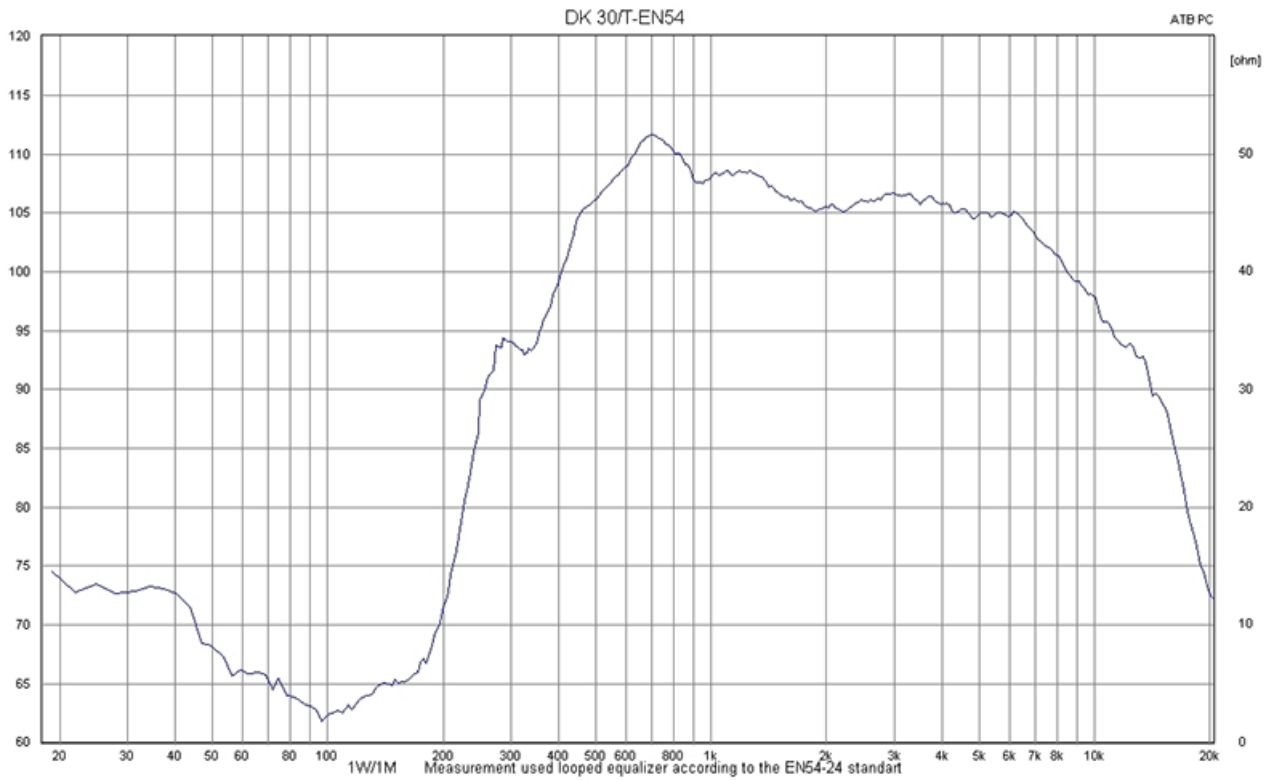
Product Attributes



Technical Diagrams

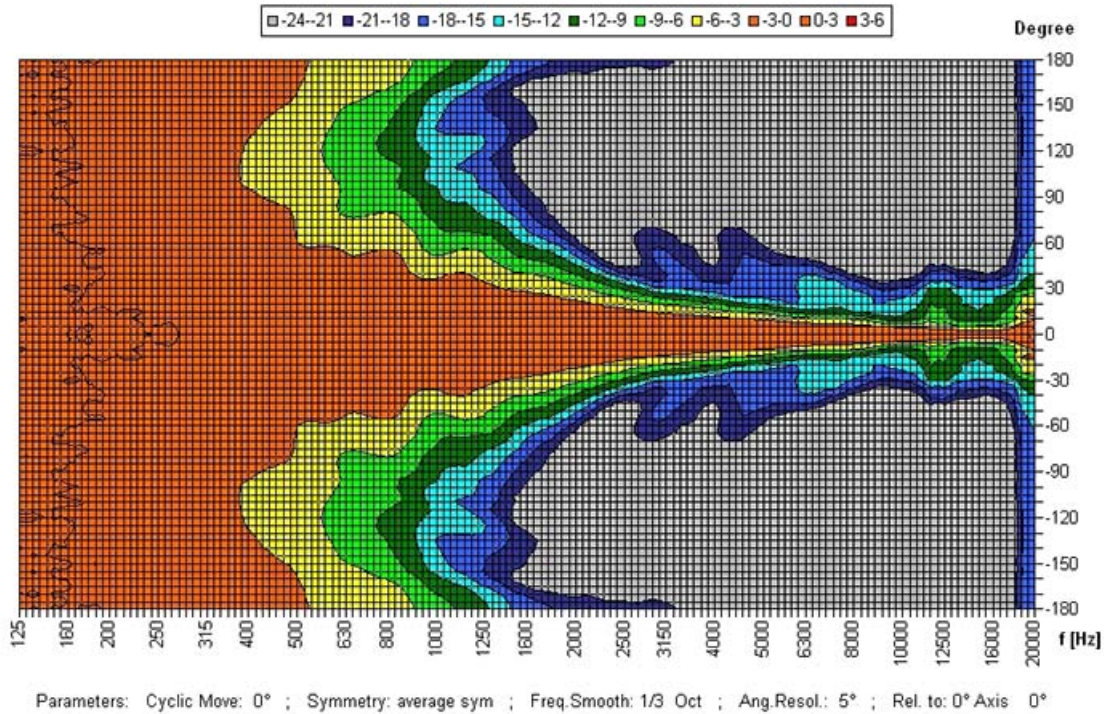


Frequency Response Diagrams



Polar Diagrams

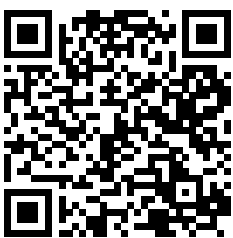
Copyright by Four-Audio GmbH & Co KG Licensed to AAC



ic audio loudspeakers are tested and classified according to the IEC standard 60529 (degree of protection by enclosure) against the penetration of foreign objects and moisture. The classification is conforming to standards through characterization with a fixed code. This code consists of the letters IP (International Protection) followed by two digits. The first digit indicates the degree of protection against dust and the second digit the degree of protection against water. Please note that the testing of the products has been carried out in laboratory conditions which are not always 100% comparable with the conditions of different installation environments. This protection can be reduced due to normal wear and tear depending on the installation environment.

RoHS compliant (2011/65/EU)

The IP rating specified is based on ic audio test results, not on CNBOP-PIB test results. Certification only verifies the minimum requirements for EN54-24 compliance.



Article Nr.: 20102188

Packing Unit: 6

